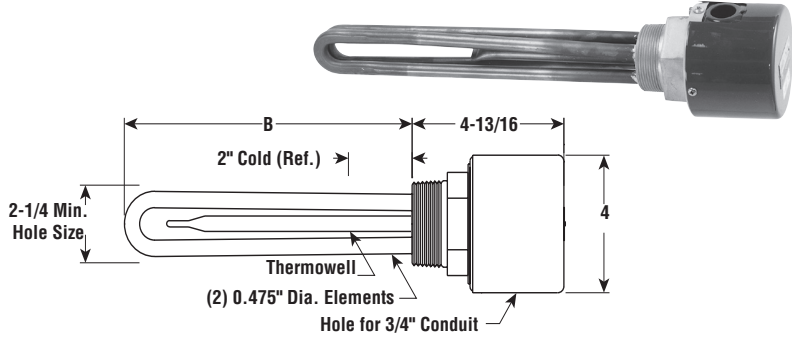


MTS-2

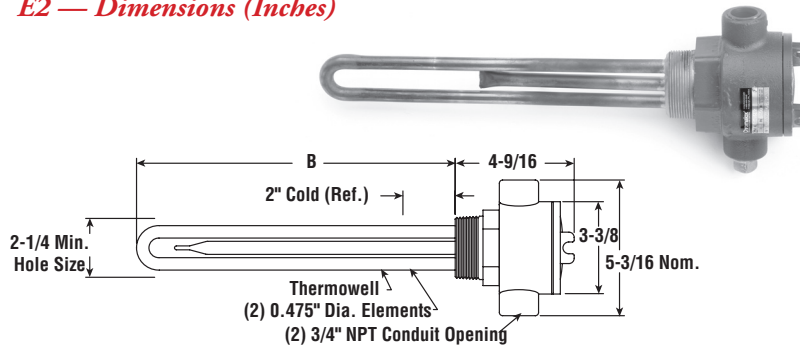
Process Water Applications (cont'd.)

- 2" NPT Stainless Steel Passivated Screw Plug
- Stainless Steel Passivated Sheath Elements
- High Watt Density (43 - 51 W/In²)
- 1.5 - 15 kW
- Without Thermostat
- 208, 240 and 480 Volt, Single Phase
- General Purpose or Moisture Resistant/Explosion Resistant Terminal Enclosure or Moisture Resistant

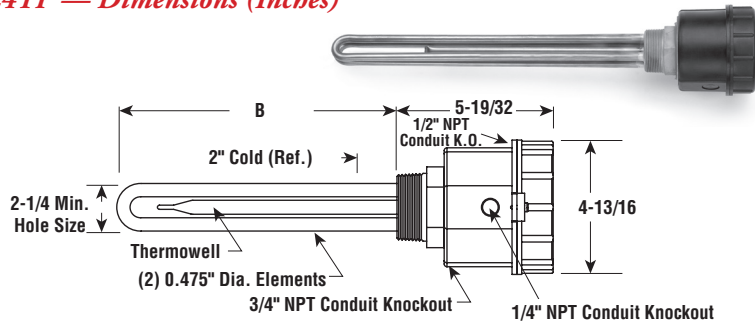
E1 — Dimensions (Inches)



E2 — Dimensions (Inches)



E4TP — Dimensions (Inches)



Specifications and Ordering Information

						E1 General Purpose ¹				E2 Moisture Resistant/Explosion Resistant ²				E4 Moisture Resistant			
kW	Volts	Phase	W/In ²	No. Elem.	DIM B (In.)	Model	Stock	PCN	Wt. (Lbs.)	Model	Stock	PCN	Wt. (Lbs.)	Model	Stock	PCN	Wt. (Lbs.)
6	208	1	46	2	24-1/2	MTS-260A	NS	186693	5	MTS-260E2	NS	186706	8	MTS-260E4TP	NS	063642	5
6	240	1	46	2	24-1/2	MTS-260A	S	190166	5	MTS-260E2	NS	289641	8	MTS-260E4TP	NS	063650	5
6	480	1	46	2	24-1/2	MTS-260A	S	190174	5	MTS-260E2	NS	289650	8	MTS-260E4TP	NS	063669	5
7	240	1	46	2	27-1/2	MTS-270A	S	190182	6	MTS-270E2	NS	289676	9	MTS-270E4TP	NS	063677	6
7	480	1	46	2	27-1/2	MTS-270A	NS	190190	6	MTS-270E2	NS	289684	9	MTS-270E4TP	NS	063685	6
10	208	1	46	2	40	MTS-2100A	NS	186714	8	MTS-2100E2	NS	186722	11	MTS-2100E4TP	NS	063298	8
10	240	1	46	2	40	MTS-2100A	NS	190203	8	MTS-2100E2	NS	289692	11	MTS-2100E4TP	NS	063300	8
10	480	1	46	2	40	MTS-2100A	NS	190211	8	MTS-2100E2	NS	289705	11	MTS-2100E4TP	NS	063319	8
12	208	1	46	2	48	MTS-2120A*	NS	186730	8	MTS-2120E2*	NS	186749	11	MTS-2120E4TP*	NS	063327	8
12	240	1	46	2	48	MTS-2120A*	NS	190220	8	MTS-2120E2*	NS	289713	11	MTS-2120E4TP*	NS	063335	8
12	480	1	46	2	48	MTS-2120A	NS	190238	8	MTS-2120E2	NS	289721	11	MTS-2120E4TP	NS	063343	8
15	240	1	50	2	54	MTS-2150A*	NS	190246	8	MTS-2150E2*	NS	289730	11	MTS-2150E4TP*	NS	063351	8
15	480	1	50	2	54	MTS-2150A	NS	190254	8	MTS-2150E2	NS	289748	11	MTS-2150E4TP	NS	063360	8

Stock Status: S = stock NS = non-stock
To Order—Specify model, volts, phase, kW, PCN and quantity.

1. Heaters with General Purpose Enclosures are UL Listed and CSA Certified except Models with *(Exceeds 48 Amps).
2. Heaters with Moisture Resistant/Explosion Resistant Enclosures are CSA_{US}® Certified except Models with *(Exceeds 48 Amps).

FASTShip[®]

Same-day shipping on stock item orders received before 4 pm CST.
 3-day shipping on assembly-stock items.